

INSIGHT PRECISION GROOVING COLLET

英思特精密車床夾頭





+ 中國臺灣工廠 TaiWan Factory

彰化縣和美鎮彰草路三段172巷168弄38號
No 38,168 Nong,Lane 172,section 3,Zhangcao Road,
Hemei Town,Zhanghua County

+ 杭州運營中心 HangZhou Operations Centre

杭州市經濟技術開發區上沙路228號中沙金座2幢1620室
Apartment 2 Room 1620, ZhongShaJinZuo,No 228,Shangsha Road,
Hangzhou ETDZ

+ 中國江蘇工廠 JiangShu Factory

蘇州相城經濟技術開發區如元路169號
No 169,Ruyuan Road,Xiangcheng ETDZ, Suzhou

+ 中國東莞工廠 DongGuan Factory

東莞市長安鎮振安中路聚和（國際）機床城B35
No B35,JuHe International Machine Tool City,Zhenan Middle Road,
ChanganTown,Dongguan

深圳晨日精密五金工具有限公司

Shenzhen ChenRi Precision Hardware Tools Co., Ltd.

📍 運營總部：
深圳市龍華區大浪街道恒大時尚慧谷大廈7幢
8層804室
804,Floor 8,Evergrande Fashion Huigu Building, Dalang Street,
Longhua District,Shenzhen

☎ 官方熱綫：0755-23888890 / 23888891

🌐 官方網站：<http://insight-t.com>



晨日精密

工程：整个社会的命脉。我们的日常生活便以此基础发展、变化、成形和进步。

在我们看到日益繁荣、人口增长和消费速度不断升高的世界中，经济增长和可持续发展将面临同等程度的挑战，变化的速度不会再像现在这样迟缓，新的机会就在前方。事实上，制造业中唯一不变的便是不断变化，走向数字化将对您公司提出新要求，我们通过与您合作使您公司掌握最新技术，从而使您的公司能够解决各种复杂的问题并在竞争中保持领先地位，这就是我们追求的合作模式。

晨日精密成立于1982年,由德国工学博士刘戴维创立,其在德国同行业参与过多项新技术及新工艺的研发。目前已经建立了台湾生产基地、中国江苏苏州生产基地、中国广东东莞生产基地、深圳及杭州运营中心。台湾厂区专注于机床精密夹持系统的研发、生产;中国江苏苏州厂区和广东东莞厂区专注于硬质合金刀具的研发、生产;杭州及深圳运营中心在现有产品的基础上引进欧美日系列产品加以补充,使公司产品链更加完善,能够为您的公司提供完整高效精密的加工解决方案。

未来,我们将采取最佳的品质与服务策略,持续引领精密制造产业接轨世界舞台的发展,为顾客提供最佳的产品服务方案。

我们期待与您的合作!

PRECISION
CHENRI
CHINA

Engineering is the lifeblood of society.
Based on this,our daily life is developing,changing molding and evolving.

In a world where we see increased prosperity, population growth and rising consumption speeds; challenges will arise for economic growth and sustainability in equal measure. Simply said, the speed of change will never be this slow again. New opportunity always be waiting.

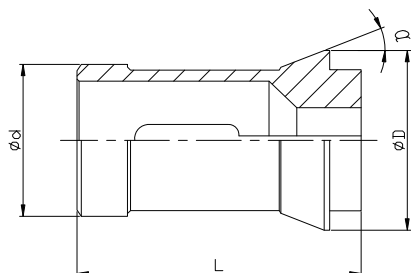
In fact, the only thing that's been constant in manufacturing has been the constant change. The move towards digitization will put new demands on companies. We work with you to equip your employees with the latest technical knowledge, allowing your business to solve even the most complex problems and stay ahead of the competition. That's what we call collaboration on an industrial scale.

ChenRi Precision Co.LTD was founded in 1982 by Dr. David Liu, a German engineering doctor. It has participated in the R&D and production of many technologies in the same industry in Germany. We has built the large production base in Taiwan, Dongguan and Suzhou. We also established operations centers in Shenzhen and Hangzhou.So that we can make the company's product chain more complete, can provide your company with a complete and efficient precision processing solution.

In the future, We will take the best quality and service strategy, continue to lead the development of cutting tools industry in line with the world stage, and provide customers with the best product service plan.

We look forward to your cooperation.

TYPE OF MACHINE TOOL 配用机床型号



CITIZEN 西铁城

Model(型号)	d	L	D	α(角度)	Article No.				Material	
									Steel	Carbide
R04	∅ 8.0	41	∅ 12.0	16°					○	○
R07,D/F/G/L-10	∅ 15.0	64	∅ 21.0	16°	F15/580	120E	TF15	40.003	○	○
	∅ 15.0	45.5	∅ 20.0	15°					○	○
B12, F12	∅ 16.0	64	∅ 21.0	16°					○	○
	∅ 16.0	62	∅ 21.0	16°					○	○
D/E/F/L/M-16,E/F/L/M-20	∅ 25.0	77	∅ 35.0	16°	F25/64	145E	TF25		○	○
L16/20, F16/20,M16, G20, E20	∅ 26.0	67	∅ 36.0	16°				511.001	○	○
F25, L25, E25, E25J	∅ 30.0	78	∅ 42.0	16°					○	○
L32,M32,E32,G32	∅ 37.0	92	∅ 47.0	16°	F37/740	1536E	TF37		○	○

STAR 星牌

Model(型号)	d	L	D	α(角度)	Article No.				Material	
									Steel	Carbide
JNC8	∅ 12.0	51	∅ 20.0						○	○
SW7,SW10,JNC10,RNC10,SN C10	∅ 15.0	64	∅ 21.0	16°	F15/580	120E		40.003	○	○
SE12, S13, VNC12, SJ15	∅ 18.0	64	∅ 25.0	16°					○	○
SB16	∅ 20.0	67	∅ 26.0	16°					○	○
RNC16, SE16, SR16, SH16	∅ 20.0	67	∅ 28.0	16°	F20/87	138E	TF20	40.004	○	○
KNC16/20,SR20,VNC20	∅ 25.0	77	∅ 35.0	16°	F25/64	145E	TF25		○	○
JNC16, ZNC16, AVNC20,AL16/20	∅ 26.0	67	∅ 36.0	32°					○	○
KJR25,SCN25	∅ 30.0	80	∅ 42.0	16°	F30/63	157E	TF30	40.006	○	○
JNC32/25, A E/G/L/M32, VNC32,MR32	∅ 37.0	92	∅ 47.0	16°	F37/740	1536E	TF37		○	○
STM38	∅ 48.0	94	∅ 60.0	15°	F48/81	173E	TF48	231.009	○	○

HEADSTOCK COLLETS FOR LATHES

走心机夹头



TSUGAMI 津上

Model(型号)	d	L	D	α(角度)	Article No.				Material	
									Steel	Carbide
T7, BOO7, BM07,NP-4W	∅ 10.0	46/47	∅ 16.0	20°	F10/1178	111E		140.001	O	O
L10/NT/NP11	∅ 14.0	47	∅ 20.0	16°					O	O
NT/NP11	∅ 15.0	64	∅ 21.0	16°	F15/580	120E	TF15	40.003	O	O
BO12,NT/NP-12	∅ 20.0	67	∅ 26.0	16°					O	O
NP17, NP16, NT17, BS12	∅ 23.8	62	∅ 28.0	15°		ETF24	S16-HMS		O	O
BO18A, S20, BS18	∅ 28.0	77	∅ 35.0	16°			S20-HM		O	O
BO18B, S20, BS18	∅ 25.0	77	∅ 35.0	16°	F25/64	145E	TF25	40.024	O	O
BS26A, BS25	∅ 33.0	80	∅ 40.0	16°			S25-HM		O	O
BS26B, BS25	∅ 30.0	80	∅ 42.0	16°	F30/63	157E	TF30	40.006	O	O
NT/NP-32	∅ 37.0	92	∅ 47.0	16°	F37/740	1536E	TF37		O	O
B0325	∅ 37.0	91.2	∅ 44.0	16°					O	O
BH385/BU38S/BO385	∅ 43.0	92	∅ 53.0	16°	F43		TF43	511.024	O	O
BH38(SUB)	∅ 48.0	100	∅ 54.0	15°			BS38	511.028	O	O

NOMURA 野村

Model(型号)	d	L	D	α(角度)	Article No.				Material	
									Steel	Carbide
NSP8410, NSP8420	∅ 12.0	58	∅ 18.0						O	O
NSP1053, NN10K	∅ 16.0	50.5	∅ 22.0	15°/15.5°				90.015	O	O
NSP1653, NSP1253	∅ 20.0	68	∅ 26.0	13°					O	O
NN20KF	∅ 26.0	67	∅ 36.0	16°/15°				511.001	O	O
P-23	∅ 29.0	72	∅ 39.0						O	O
NNCP2553, NN25K	∅ 32.0	84.5	∅ 42.0	15°/13°					O	O
P32/NN32UB/NN32YB/P30	∅ 42.0	86	∅ 52.0	13°					O	O

HANWHA 韩华

Model(型号)	d	L	D	α(角度)	Article No.				Material	
									Steel	Carbide
HANEX11, SL12	∅ 16.0	64	∅ 21.0	16°	F16/1076	1212E	TF16	40.012	O	O
HANEX17, ML18-G	∅ 22.0	55	∅ 30.0	15°	F22/71	140E	TF22	231.002	O	O
HANEX20	∅ 25.0	77	∅ 35.0	16°	F25/64	145E	TF25	40.005	O	O
HANEX25	∅ 32.0	80	∅ 42.0	16°	F30/63	157E	TF30		O	O
SL-32	∅ 37.0	92	∅ 47.0	16°	F37/740	1536E	TF37	40.008	O	O
SL-35	∅ 40.0	92	∅ 49.0	16°					O	O
SL-35HP-II,SUB	∅ 40.0	92	∅ 50.0	16°			TF40		O	O
SL-38HP-II	∅ 44.0	94	∅ 52.0	16°	F44/92		TF44	511.026	O	O

TORNOS 瑞士特纳斯

Model(型号)	d	L	D	α(角度)	Article No.				Material	
									Steel	Carbide
M4,T4,TV	∅ 8.0	42	∅ 12.0	16°	F8/577	101E	TF8	40.001	○	○
M7	∅ 10.0	47.5	∅ 15.5	20°	F10/86	109E	TF10	40.002	○	○
MS7	∅ 13.0	64	∅ 19.0	16°	F13/357	116E	TF13	40.016	○	○
R10,M10	∅ 15.0	64	∅ 21.0	16°	F15/580	120E	TF15	40.003	○	○
R125	∅ 16.0	64	∅ 21.0	16°	F16/1076	1212E	TF16	40.012	○	○
R16,M15	∅ 20.0	67	∅ 28.0	16°	F20/87	138E	TF20	40.004	○	○
RR20,R20,M20	∅ 25.0	77	∅ 35.0	16°	F25/64	145E	TF25	40.005	○	○
M25	∅ 30.0	80	∅ 42.0	16°	F30/63	157E	TF30	40.006	○	○
MR32,TBM32	∅ 37.0	92	∅ 47.0	16°	F37/740	1536E	TF37	40.008	○	○

TORNOS-DECO 瑞士特纳斯-DECO

Model(型号)	d	L	D	α(角度)	Article No.				Material	
									Steel	Carbide
DECO 7	∅ 10.0	47.5	∅ 15.5	20°	F10/86	109E	TF10	40.002	○	○
DECO 10	∅ 15.0	64	∅ 21.0	16°	F15/580	120E	TF15	40.003	○	○
DECO 13	∅ 16.0	64	∅ 21.0	16°	F16/1076	1212E	TF16	40.012	○	○
DECO 13/16	∅ 20.0	54	∅ 26.0	15°	F20/201	136E	F20/201	225.003	○	○
DECO 20, DELTA 12/20	∅ 25.0	77	∅ 35.0	16°	F25/64	145E	TF25	40.005	○	○
DECO 26, SIGMA 20	∅ 30.0	65	∅ 38.0	15°	F30/101	1446E	161	90.009	○	○
DECO 32	∅ 37.0	92	∅ 47.0	16°	F37/740	1536E	TF37	40.008	○	○
DELTA 38/5	∅ 43.0/42.95	92	∅ 53.0	16°	F43		TF43	511.024	○	○
DELTA 38/5 (SUB)	∅ 48.0	100	∅ 54.0	15°			BS38	511.028	○	○

BECHLER ENC 瑞士托纳斯所属

Model(型号)	d	L	D	α(角度)	Article No.				Material	
									Steel	Carbide
ENC 74/75	∅ 13.0	64	∅ 19.0	16°	F13/357	116E	TF13	40.016	○	○
ENC 162/164	∅ 20.0	54	∅ 26.0	15°	F20/201	136E	F20/201	225.003	○	○
ENC 163/167	∅ 25.0	77	∅ 35.0	16°	F25/64	145E	TF25	40.005	○	○

BECHLER 瑞士托纳斯所属

Model(型号)	d	L	D	α(角度)	Article No.				Material	
									Steel	Carbide
A4, A7	∅ 10.0	46	∅ 16.0						○	○
A7, A10, AR10	∅ 14.0	46	∅ 18.0	13°	F14/98	117E		140.002	○	○
B12	∅ 18.0	67	∅ 25.0	15°	F18/85	127E		140.003	○	○
B16	∅ 22.0	67	∅ 28.0	13°	F22/88	139E		140.004	○	○
B20,BR20	∅ 26.0	67	∅ 32.0	13°	F26/90	146E		140.005	○	○

HEADSTOCK COLLETS FOR LATHES

走心机夹头



STROHM 德国西德

Model(型号)	d	L	D	α(角度)	Article No.				Material	
									Steel	Carbide
M75-M105	∅ 10.0	47.5	∅ 15.5	20°	F10/86	109E	TF10	40.002	○	○
M105/125	∅ 15.0	64	∅ 21.0	16°	F15/580	120E	TF15	40.003	○	○
M205/255	∅ 25.0	77	∅ 35.0	16°	F25/64	145E	TF25	40.005	○	○
M205/255	∅ 30.0	80	∅ 42.0	16°	F30/63	157E	TF30	40.006	○	○

TRAUB/INDEX 瑞士因代克斯

Model(型号)	d	L	D	α(角度)	Article No.				Material	
									Steel	Carbide
TNL 7	∅ 10.0	47.5	∅ 15.5	20°	F10/86	109E	TF10	40.002	○	○
TNL 12/7	∅ 15.0	64	∅ 21.0	16°	F15/580	120E	TF15	40.003	○	○
TNL 12/7	∅ 16.0	64	∅ 21.0	16°	F16/1076	1212E	TF16	40.012	○	○
TNL 16	∅ 20.0	54	∅ 26.0	15°	F20/201	136E	F20/201	225.003	○	○
TNL 16	∅ 20.0	67	∅ 28.0	16°	F20/87	138E	TF20	40.004	○	○
TNL 20	∅ 25.0	77	∅ 35.0	16°	F25/64	145E	TF25	40.005	○	○

WANG TZYU

Model(型号)	d	L	D	α(角度)	Article No.				Material	
									Steel	Carbide
SL-1693	∅ 20.0	68	∅ 26.0	13°					○	○
SL-2596	∅ 30.0	78	∅ 42.0	16°					○	○
SL-3295	∅ 37.0	92	∅ 47.0	16°	F37/740	1536E	TF37	40.008	○	○

POLYGYM 台湾宝丽金

Model(型号)	d	L	D	α(角度)	Article No.				Material	
									Steel	Carbide
DIAMOND 12,12CS	∅ 16.0	64	∅ 21.0	16°	F16/1076	1212E	TF16	40.012	○	○
DIAMOND 16,16CS	∅ 20.0	68	∅ 26.0	13°					○	○
DIAMOND 20,20B,20CS,20CSB	∅ 26.0	67	∅ 36.0	16°				511.001	○	○
DIAMOND 25,25B,25CS,25CSB	∅ 30.0	78	∅ 42.0	16°					○	○
DIAMOND 32,32B,32CS,32CSB	∅ 37.0	92	∅ 47.0	16°	F37/740	1536E	TF37	40.008	○	○
DIAMOND SY-42	∅ 48.0	94	∅ 60.0	15°	F48/81	173E	TF48	231.009	○	○

JINN FA

Model(型号)	d	L	D	α(角度)	Article No.				Material	
									Steel	Carbide
JSL-20	∅ 28.0	77	∅ 35.0	16°			S20-HM		○	○
JSL-26	∅ 33.0	80	∅ 40.0	16°	F30/63	157E	TF30	40.006	○	○
JSL-32	∅ 37.0	92	∅ 47.0	16°	F37/740	1536E	TF37	40.008	○	○
JSL-42AB	∅ 54.0	87	∅ 68.0						○	○

NEXTURN (KNOWLEDGE) 韩国

Model(型号)	d	L	D	α(角度)	Article No.				Material	
									Steel	Carbide
SA-12	∅ 16.0	64	∅ 21.0	16°	F16/1076	1212E	TF16	40.012	○	○
SA-18,SA-20,SA-20e	∅ 25.0	77	∅ 35.0	16°	F25/64	145E	TF25	40.005	○	○
SA-26,SA-26e	∅ 32.0	75	∅ 45.0	15°	F32/221	161E		231.005	○	○
SA-32	∅ 37.0	92	∅ 47.0	16°	F37/740	1536E	TF37	40.008	○	○

GAUTHIER

Model(型号)	d	L	D	α(角度)	Article No.				Material	
									Steel	Carbide
GM 12	∅ 20.0	54	∅ 26.0	15°	F20/201	136E	F20/201	225.003	○	○
GM 20	∅ 25.0	77	∅ 35.0	16°	F25/64	145E	TF25	40.005	○	○
GM 25	∅ 30.0	80	∅ 42.0	16°	F30/63	157E	TF30	40.006	○	○

GILDEMEISTER 瑞士吉特迈/德马吉

Model(型号)	d	L	D	α(角度)	Article No.				Material	
									Steel	Carbide
GLD 12	∅ 20.0	67	∅ 28.0	16°	F20/87	138E	TF20	40.004	○	○
GLD 16/20,GS20-L	∅ 25.0	77	∅ 35.0	16°	F25/64	145E	TF25	40.005	○	○
GLD 25L,GS25-L	∅ 32.0	75	∅ 45.0	15°	F32/221	161E		231.005	○	○

DMG

Model(型号)	d	L	D	α(角度)	Article No.				Material	
									Steel	Carbide
GMC 20	∅ 25.0	77	∅ 35.0	16°	F25/64	145E	TF25	40.005	○	○

HEADSTOCK COLLETS FOR LATHES

走心机夹头



PETERMANN 瑞士托纳斯所属

Model(型号)	d	L	D	α(角度)	Article No.				Material	
									Steel	Carbide
P4,P7	∅ 8.0	41	∅ 12.0	16°	F8/1079			90.002	O	O
P7	∅ 10.0	47.5	∅ 15.5	20°	F10/86	109E	TF10	40.002	O	O
P7R	∅ 15.0	47	∅ 22.0	20°	F15/358	121E		90.004	O	O
P10,10HSR	∅ 16.0	55	∅ 22.0	15°	F16/104	123E		90.005	O	O
P16	∅ 22.0	66	∅ 32.0	16°	F22/727			90.007	O	O

MANURHIN 法国

Model(型号)	d	L	D	α(角度)	Article No.				Material	
									Steel	Carbide
Swing 13,Traminer 13	∅ 18.0	67	∅ 25.0	15°	F18/85	127E		140.003	O	O
Twin 13,Decotum 16	∅ 20.0	67	∅ 28.0	16°	F20/87	138E	TF20	40.004	O	O
Traminer 16	∅ 20.0	54	∅ 26.0	15°	F20/201	136E	F20/201	225.003	O	O
KMX,Swing,Traminer,Twin 20	∅ 25.0	77	∅ 35.0	16°	F25/64	145E	TF25	40.005	O	O
KMX 26,Twin 20,Swing 20	∅ 32.0	75	∅ 45.0	15°	F32/221	161E		231.005	O	O
Mirabel PM 32	∅ 38.1	108	∅ 49.0	15°	F38/72	164E		285.002	O	O

MAIER 德国梅尔

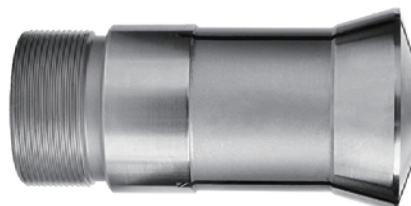
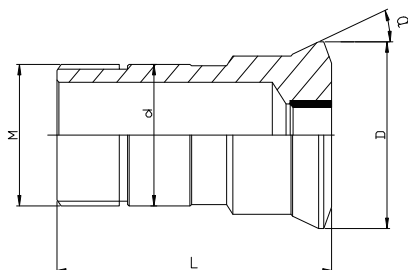
Model(型号)	d	L	D	α(角度)	Article No.				Material	
									Steel	Carbide
ML7	∅ 10.0	47.5	∅ 15.5	20°	F10/86	109E	TF10	40.002	O	O
ML12G,ML12S,ML125K II	∅ 15.0	64	∅ 21.0	16°	F15/580	120E	TF15	40.003	O	O
ML18S,ML18H,ML20D	∅ 25.0	77	∅ 35.0	16°	F25/64	145E	TF25	40.005	O	O
ML26S,ML26H	∅ 30.0	80	∅ 42.0	16°	F30/63	157E		40.006	O	O
ML26D	∅ 32.0	75	∅ 45.0	15°	F32/221	161E		231.005	O	O
ML36	∅ 42.0	94	∅ 55.0	15°	F42/99	171E		231.007	O	O

HARDINGE 美国哈挺

Model(型号)	d	L	D	α(角度)	Article No.				Material	
									Steel	Carbide
S20,ST220	∅ 25.0	77	∅ 35.0	16°	F25/64	145E	TF25	40.005	O	O
ST225	∅ 30.0	80	∅ 42.0	16°	F30/63	157E	TF30	40.006	O	O

Dead length collets according to DIN 6343 for clamping of workpieces on single and multi-spindle automatic lathes, in indexing devices, grinding machines, second-operation lathes or rotary indexing turning machines. The following collets on pressure are available: Collets type F6 (100E), F8 (101E), F10 (111E), F13 (116E), F14 (117E), F15 (120E), F16 (1212E), F17 (125E), F20 (136E), F20 (138E), F22 (140E), F25 (145E), F28 (148E), F30 (1446E), F30 (157E), F35 (162E), F32 (161E), F35 (163E), F37 (1536E), F38 (164E), F42 (171E), F48 (173E), F66 (185E), F88 (190E) and collets type F90 (193E). All unlisted items can be delivered on request. Grinding of collets on pressure is possible. The collet DIN 6343 are especially appropriate for high speed.

TYPE OF MACHINE TOOL 配用机床型号



CITIZEN 西铁城

Model(型号)	d	L	D	Thread(螺纹)	α(角度)	Article No.				Material		
										Steel	Carbide	
R04	∅ 9.0	38.5	∅ 12.5	M8X0.75			263.001				○	○
R07	∅ 11.0	52	∅ 14.5	M10X0.75	16°	3134E	3.001	T11/J4	TD-7		○	○
D10,E10,F10,L10	∅ 16.0	59	∅ 20.5	M14X1.0	16°	3260E	8.001		TD10		○	○
B12, F12,C12,A12	∅ 18.0	60	∅ 22.0	M18X1.0	15°	3319E	174.001	T18	SD125R		○	○
B20, M20, L20	∅ 28.0	82	∅ 34.0	M25X1.0	16°	3602E	22.001	T28/B261	TD25S		○	○
L16/20,F16/F20,E20,Wf6,206M	∅ 30.0	59	∅ 35.0	M30X1.0	15.75°		510.001				○	○
F25, L25, E25, E25J	∅ 34.0	87.5	∅ 41.0	M34X1.0	10°	3733E	451.001	T34/B227	CD25		○	○
L32,M32,G32,E32	∅ 42.0	82	∅ 48.0	M40X1.0	20°		28.01	T42	TD32		○	○

STAR 星牌

Model(型号)	d	L	D	Thread(螺纹)	α(角度)	Article No.				Material		
										Steel	Carbide	
TD-7	∅ 11.0	52	∅ 14.5	M10X0.75	16°	3134E	3.001	T11/J4	TD-7		○	○
JNC-10,RNC-10,SNC-10	∅ 16.0	59	∅ 20.5	M14X1.0	16°	3260E	8.001	T16/J6R	TD10		○	○
SE12, VNC12, SJ15,SNC15	∅ 21.0	58	∅ 24.0	M18X1.0	12°	3438E	450.001	T21/B301	SNC15		○	○
SB16, SR16	∅ 22.0	70.5	∅ 26.0	M20X1.0	15°		487.001		P1653D		○	○
RNC16,SE16,SA16,VNC16,KNC16	∅ 22.0	68	∅ 29.0	M22X1.0	16°	3455E	39.001	T22/J7AR	TD20R		○	○
SA-16, SR-16	∅ 22.0	68	∅ 29.0	M22X1.0	16°	3455E	39.001	T22/J7AR	TD20R		○	○
SR20,KNC16, VNC20	∅ 28	82	∅ 34.0	M25X1.0	16°	3602E	22.001	T28/B261	TD25S		○	○
JNC16, L16/20, ZNC16, VNC20	∅ 30.0	59	∅ 35.0	M30X1.0	15.75°		510.001				○	○
SCN-25,KJR-25	∅ 34.0	87.5	∅ 41.0	M34X1.0	10°	3733E	451.001	T34/B227	CD25		○	○
JNC32/25,VNC32/25,MR32,SR32	∅ 42.0	82	∅ 49.0	M40X1.0	16°	3827E	28.001	T42/J9	TD32S		○	○
STM-38	∅ 48.0	82	∅ 54.0	M46X1.0	16°		464.001	T48	STM38		○	○

TSUGAMI 津上

Model(型号)	d	L	D	Thread(螺纹)	α(角度)	Article No.				Material	
										Steel	Carbide
NP-4W	∅ 11.0	52	∅ 14.5	M10X0.75	16°	3134E	3.001	T11/J4	TD-7	○	○
T7, BOO7, BM07	∅ 12.0	50	∅ 15	M12X1.0	15°	3149E	261.001	T12/B211		○	○
L10	∅ 15.0	54	∅ 19.0	M14X1.0	16°					○	○
NT-11,NP-11	∅ 18.0	60	∅ 22.0	M18X1.0	15°	3319E	174.001	T18-59	SD125R	○	○
BO12	∅ 22.0	70.5	∅ 26.0	M20X1.0	15°		487.001		P1653D	○	○
NP-17, NP-16, NT-17/BS12	∅ 23	72	∅ 28.0	M22X1.0	16°		483.001	T23	TSG20R	○	○
NP-20,BS20, BO18, BS18	∅ 30.0	70	∅ 36.0	M28X1.0	16°		486.001		NN20KD	○	○
BO20-CV	∅ 26.0	77	∅ 29.0	M25X1.0	16°		99.001		TD26	○	○
BA-26	∅ 33.0	70	∅ 38.0	M30X1.0						○	○
BA-26L	∅ 32.0	70	∅ 38.0	M30X1.0						○	○
S-25,BS-26	∅ 34.0	87.5	∅ 41.0	M34X1.0	10°/16°	3733E	451.001	T34/B227	CD25	○	○
NP-32	∅ 42.0	82	∅ 49.0	M40X1.0	16°	3827E	28.001	T42/J9	TD32S	○	○
BH38	∅ 48.0	81	∅ 54.0	M46X1.0	10°		496.001	T48/b240		○	○

NOMURA 野村

Model(型号)	d	L	D	Thread(螺纹)	α(角度)	Article No.				Material	
										Steel	Carbide
NS-P8410, NS-P8420	∅ 14.0	60.5	∅ 20.0	M14X1.0	15.5°		480.001		P853D	○	○
NS-P1053,NN-10K,	∅ 16.0	63	∅ 20.0	M14X1.0	15.5°		481.001		P1053D	○	○
NS-P1653,NS-P1253	∅ 22.0	70.5	∅ 26.0	M20X1.0	15°		487.001		P1653D	○	○
NN-P20,NN-20KF	∅ 30.0	67.5	∅ 35.0	M30X1.0	15.5°				NN20KD	○	○
NNC-P2553, NN-25K	∅ 36.0	89	∅ 44.0	M36X1.0	13°				P2553D	○	○
P-32	∅ 44.0	90	∅ 50.0	M40X1.0	13°				NN30TD	○	○

HANWHA 韩华

Model(型号)	d	L	D	Thread(螺纹)	α(角度)	Article No.				Material	
										Steel	Carbide
HANEX11, SL12	∅ 18.0	60	∅ 22.0	M18X1.0	15°	3319E	174.001	T18-59	SD125R	○	○
HANEX17, ML18-G	∅ 22.0	68	∅ 29.0	M22X1.0	16°	3455E	39.001	T22/J7AR	TD20R	○	○
HANEX20	∅ 28.0	82	∅ 34.0	M25X1.0	16	3602E	22.001	T28/B261	TD25S	○	○
HANEX25	∅ 34.0	87.5	∅ 41.0	M34X1.0	10°/16°	3733E	451.001	T34/B227	CD25	○	○
SL-32	∅ 42.0	82	∅ 49.0	M40X1.0	16°	3827E	28.001	T42/J9	TD32S	○	○
SL-35,SL-38	∅ 45.0	82	∅ 52.0	M42X1.0						○	○
SL-38HP-II	∅ 46.0	82	∅ 53.0	M45X1.0						○	○

TORNOS 瑞士特纳斯

Model(型号)	d	L	D	Thread(螺纹)	α(角度)	Article No.				Material	
										Steel	Carbide
M4,T4,TV	∅ 9.0	44	∅ 12.5	M8X0.75	16°	3077E	1.001	T9/J3	PD-4	○	○
M7	∅ 11.0	52	∅ 14.5	M10X0.75	16°	3134E	3.001	T11/J4	TD-7	○	○
M7,MS7	∅ 13.0	68	∅ 17.0	M13X1.0			45.001			○	○
R10, M10,R125,MS7	∅ 16.0	59	∅ 20.5	M14X1.0	16°	3260E	8.001	T16/J6R	TD10	○	○
R10, M10,R125	∅ 18.0	60	∅ 22.0	M18X1.0	15°	3319E	174.001	T18-59	SD125R	○	○
M15,R16,RR20	∅ 22.0	68	∅ 29.0	M19X1.0	16°	3454E	13.001	T22/J7A	TD20	○	○
M15,R16,RR20	∅ 22.0	68	∅ 29.0	M22X1.0	16°	3455E	39.001	T22/J7AR	TD20R	○	○
RR20,	∅ 28.0	82	∅ 34.0	M25X1.0	16°	3602E	22.001	T28/B261	TD25S	○	○
M20,M25	∅ 32.0	71	∅ 40.0	M32X1.0	30°	3708E	282.001	T32/B214	TSD20	○	○
MR32	∅ 44.0	87.5	∅ 53.0	M40X1.0		3835E	27.001			○	○

TORNOS-DECO 瑞士特纳斯-DECO

Model(型号)	d	L	D	Thread(螺纹)	α(角度)	Article No.				Material	
										Steel	Carbide
DECO 2000-7	∅ 11.0	52	∅ 14.5	M10X0.75	16°	3134E	3.001	T11/J4	TD-7	○	○
DECO 2000-10	∅ 16.0	59	∅ 20.5	M14X1.0	16°	3260E	8.001	T16/J6R	TD10	○	○
DECO 2000-13/16	∅ 24.0	61	∅ 29.5	M24X1.0	30°	3507E	61.002	T24/B238	O201	○	○
DELTA 12/20	∅ 26.0	77	∅ 29.0	M25X1.0	16°		99.001		TD26	○	○
DECO 2000-20	∅ 28.0	81	∅ 38.0	M25X1.0	30°	3610E	18.001	T28/B260	TD25/167	○	○
DECO 2000-26	∅ 34.0	87.5	∅ 41.0	M34X1.0	10°/16°	3733E	451.001	T34/B227	CD25	○	○
DECO 2000-32	∅ 42.0	82	∅ 49.0	M40X1.0	16°	3827E	28.001	T42/J9	TD32S	○	○
DELTA 38/5	∅ 48.0	81	∅ 54.0	M46X1.0	10°		496.001	T48/b240		○	○

HARDINGE 美国哈挺

Model(型号)	d	L	D	Thread(螺纹)	α(角度)	Article No.				Material	
										Steel	Carbide
S20,ST220	∅ 30.0	70	∅ 36.0	M28X1.0	15.5°		486.001		NN20KD	○	○
ST220	∅ 28.0	82	∅ 34.0	M25X1.0	16°	3602E	22.001	T28/B261	TD25S	○	○
ST25,ST225	∅ 34.0	87.5	∅ 41.0	M34X1.0	10°/16°	3733E	451.001	T34/B227	CD25	○	○

BECHLER 瑞士托纳斯所属

Model(型号)	d	L	D	Thread(螺纹)	α(角度)	Article No.				Material	
										Steel	Carbide
A4, A7	∅ 9.0	44	∅ 12.0	M8X0.75	16°	3077E	1.001	T9/J3	PD-4	○	○
A7, A10	∅ 12.0	52	∅ 15.0	M12X1.0		3149E	261.001			○	○
A7, A10, AR10	∅ 22.0	68	∅ 29.0	M19X1.0	16°	3454E	13.001	T22/J7A	TD20	○	○
B12, B16, B20	∅ 28.0	82	∅ 38.0	M25X1.0	30°	3610E	18.001	T28/B260	TD25/167	○	○

BECHLER ENC 瑞士托纳斯所属

Model(型号)	d	L	D	Thread(螺纹)	α(角度)	Article No.				Material	
										Steel	Carbide
74/75	∅ 16.0	59	∅ 20.5	M14X1.0	16°	3260E	8.001	T16/J6R	TD10	O	O
162/164	∅ 24.0	61	∅ 29.5	M24X1.0	30°	3507E	61.002	T24/B238	O201	O	O
163/167	∅ 28.0	82	∅ 38.0	M25X1.0	30°	3610E	18.001	T28/B260	TD25/167	O	O

STROHM 德国西德

Model(型号)	d	L	D	Thread(螺纹)	α(角度)	Article No.				Material	
										Steel	Carbide
M75/105	∅ 11.0	52	∅ 14.5	M10X0.75	16°	3134E	3.001	T11/J4	TD-7	O	O
M105/125	∅ 18.0	60	∅ 22.0	M16X1.0	30°	3320E	166.001	T18/B212A		O	O
M205/255	∅ 22.0	68	∅ 29.0	M19X1.0	16°	3454E	13.001	T22/J7A	TD20	O	O

TRAUB/INDEX 瑞士因代克斯

Model(型号)	d	L	D	Thread(螺纹)	α(角度)	Article No.				Material	
										Steel	Carbide
TNL 12/7	∅ 18.0	60	∅ 22.0	M16X1.0	30°	3320E	166.001	T18/B212A		O	O
TNL 16	∅ 22.0	68	∅ 29.0	M22X1.0	16°	3455E	39.001	T22/J7AR	TD20R	O	O
TNL 17	∅ 28.0	82	∅ 34.0	M25X1.0	16°	3602E	22.001	T28/B261	TD25S	O	O
TNL 20	∅ 28.0	82	∅ 38.0	M25X1.0	30°	3610E	18.001	T28/B260	TD25/167	O	O
TNL 26	∅ 34.0	87.5	∅ 41.0	M34X1.0	10°/16°	3733E	451.001	T34/B227	CD25	O	O

WANG TZYU

Model(型号)	d	L	D	Thread(螺纹)	α(角度)	Article No.				Material	
										Steel	Carbide
SL-1693	∅ 22.0	70.5	∅ 26.0	M20X1.0	15°		487.001		P1653D	O	O
SL-2596	∅ 34.0	87.5	∅ 41.0	M34X1.0	10°/16°	3733E	451.001	T34/B227	CD25	O	O
SL-3295	∅ 42.0	82	∅ 48.0	M40X1.0	20°		28.01		TD32	O	O

GAUTHIER

Model(型号)	d	L	D	Thread(螺纹)	α(角度)	Article No.				Material	
										Steel	Carbide
1hR	∅ 11.0	52	∅ 14.5	M10X0.75	16°	3134E	3.001	T11/J4	TD-7	O	O
GM 12	∅ 16.0	59	∅ 20.5	M14X1.0	16°	3260E	8.001	T16/J6R	TD10	O	O
GM 20	∅ 22.0	68	∅ 29.0	M19X1.0	16°	3454E	13.001	T22/J7A	TD20	O	O

POLYGYM 台湾宝丽金

Model(型号)	d	L	D	Thread(螺纹)	α(角度)	Article No.				Material	
										Steel	Carbide
DIAMOND 12,12CS	∅ 18.0	60	∅ 22.0	M18X1.0	15°	3319E	174.001	T18-59	SD125R	○	○
DIAMOND 16,16CS	∅ 22.0	70.5	∅ 26.0	M20X1.0	15°		487.001		P1653D	○	○
DIAMOND 20,20B,20CS,20CSB	∅ 30.0	59	∅ 35.0	M30X1.0			510.001			○	○
DIAMOND 25,25B,25CS,25CSB	∅ 34.0	87.5	∅ 41.0	M34X1.0	10°/16°	3733E	451.001	T34/B227	CD25	○	○
DIAMOND 32,32B,32CS,32CSB	∅ 42.0	82	∅ 48.0	M40X1.0	20°		28.01		TD32	○	○
DIAMOND SY-42	∅ 50.0	82	∅ 56.5	M49X1.0						○	○

JINN FA

Model(型号)	d	L	D	Thread(螺纹)	α(角度)	Article No.				Material	
										Steel	Carbide
JSL-20	∅ 30.0	70	∅ 36.0	M28X1.0	15.5°		486.001		NN20KD	○	○
JSL-26	∅ 34.0	87.5	∅ 41.0	M34X1.0	10°/16°	3733E	451.001	T34/B227	CD25	○	○
JSL-32	∅ 42.0	82	∅ 49.0	M40X1.0	16°	3827E	28.001	T42/J9	TD32S	○	○
JSL-42AB	∅ 52.0	95	∅ 59.0	M50X1.0						○	○

NEXTURN (KNOWLEDGE) 韩国

Model(型号)	d	L	D	Thread(螺纹)	α(角度)	Article No.				Material	
										Steel	Carbide
SA-12	∅ 18.0	60	∅ 22.0	M16X1.0	30°	3320E	166.001	T18/B212A		○	○
SA-12	∅ 18.0	60	∅ 22.0	M18X1.0	15°	3319E	174.001	T18-59	SD125R	○	○
SA-18,SA-20,SA-20e	∅ 28.0	82	∅ 34.0	M25X1.0	16°	3602E	22.001	T28/B261	TD25S	○	○
SA-26,SA-26e	∅ 34.0	87.5	∅ 41.0	M34X1.0	10°/16°	3733E	451.001	T34/B227	CD25	○	○
SA-32	∅ 42.0	82	∅ 49.0	M40X1.0	16°	3827E	28.001	T42/J9	TD32S	○	○

GILDEMEISTER 瑞士吉特迈/德马吉

Model(型号)	d	L	D	Thread(螺纹)	α(角度)	Article No.				Material	
										Steel	Carbide
GLD 12	∅ 18.0	60	∅ 22.0	M16X1.0	30°	3320E	166.001	166.001	T18/B212A	○	○
GLD 16/20,GS20-L	∅ 28.0	82	∅ 38.0	M25X1.0	30°	3610E	18.001	T28/B260	TD25/167	○	○
GLD 25L,GS25-L	∅ 34.0	87.5	∅ 41.0	M34X1.0	10°/16°	3733E	451.001	T34/B227	CD25	○	○

DMG

Model(型号)	d	L	D	Thread(螺纹)	α(角度)	Article No.				Material	
										Steel	Carbide
GMC 20	∅ 28.0	82	∅ 38.0	M25X1.0	30°	3610E	18.001	T28/B260	TD25/167	○	○

PETERMANN 瑞士托纳斯所属

Model(型号)	d	L	D	Thread(螺纹)	α(角度)	Article No.				Material	
										Steel	Carbide
P4,P7	∅ 9.0	44	∅ 12.0	M8X0.75	16°	3077E	1.001	T9/J3	PD-4	O	O
P7R,10,10HS	∅ 16.0	59	∅ 20.5	M14X1.0	16°	3260E	8.001	T16/J6R	TD10	O	O
P16	∅ 24.0	61	∅ 29.5	M24X1.0	30°	3507E	61.002	T24/B238	O201	O	O

MANURHIN 法国

Model(型号)	d	L	D	Thread(螺纹)	α(角度)	Article No.				Material	
										Steel	Carbide
Swing 13,Traminer 13	∅ 18.0	60	∅ 22.0	M16X1.0	30°	3320E	166.001	T18/B212A		O	O
Twin 13,Decotum 16	∅ 22.0	68	∅ 29.0	M22X1.0	16°	3455E	39.001	T22/J7AR	TD20R	O	O
Traminer 16	∅ 22.0	68	∅ 29.0	M19X1.0	16°	3454E	13.001	T22/J7A	TD20	O	O
KMX,Swing,Traminer,Twin 20	∅ 28.0	82	∅ 38.0	M25X1.0	30°	3610E	18.001	T28/B260	TD25/167	O	O
KMX 26	∅ 34.0	87.5	∅ 41.0	M34X1.0	10°/16°	3733E	451.001	T34/B227	CD25	O	O
Mirabel PM 32	∅ 42.0	82	∅ 49.0	M40X1.0	16°	3827E	28.001	T42/J9	TD32S	O	O

MAIER 德国梅尔

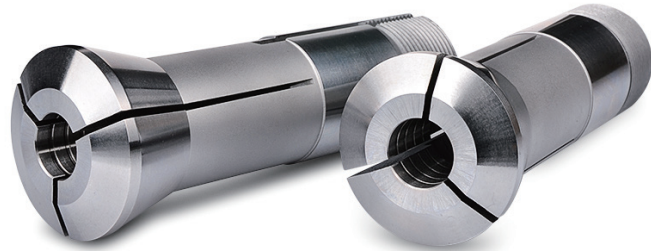
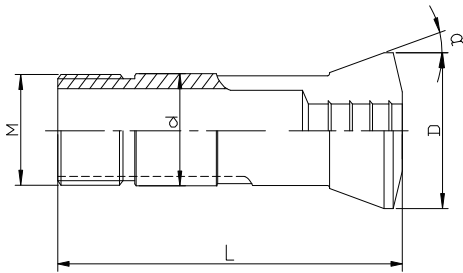
Model(型号)	d	L	D	Thread(螺纹)	α(角度)	Article No.				Material	
										Steel	Carbide
ML7	∅ 11.0	52	∅ 14.5	M10X0.75	16°	3134E	3.001	T11/J4	TD-7	O	O
ML12G,ML12S,ML125K II	∅ 18.0	60	∅ 22.0	M16X1.0	15°	3320E	166.001	T18-59	SD125R	O	O
ML18S,ML18H,ML20D	∅ 22.0	68	∅ 29.0	M22X1.0	16°	3455E	39.001	T22/J7AR	TD20R	O	O
ML20	∅ 28.0	82	∅ 34.0	M25X1.0	16°	3602E	22.001	T28/B261	TD25S	O	O
ML26S,ML26H,ML26D	∅ 34.0	87.5	∅ 41.0	M34X1.0	10°/16°	3733E	451.001	T34/B227	CD25	O	O
ML32	∅ 42.0	82	∅ 49.0	M40X1.0	16°	3827E	28.001	T42/J9	TD32S	O	O

PULL-TYPE COLLETS

拉紧式夹头



TYPE OF MACHINE TOOL 配用机床型号



EGURO 江黑

Model(型号)	d	L	D	α(角度)	Thread M	Material	
						Steel	Carbide
#6#15	∅ 19.0	76	∅ 26.0	15°	18.5X1.2	○	○
#8#20	∅ 25.0	102	∅ 33.0	15°	24X1.5	○	○
#10#25	∅ 32.0	118	∅ 42.0	15°	32x1.5	○	○

KITAMURA 北村

Model(型号)	d	L	D	α(角度)	Thread M	Material	
						Steel	Carbide
XKNC-15FA	∅ 19.0	76	∅ 26.0	15°	18.5X1.2	○	○
XKNC-20FA	∅ 25.0	102	∅ 33.0	15°	24X1.5	○	○

RIKEN 理研

Model(型号)	d	L	D	α(角度)	Thread M	Material	
						Steel	Carbide
PULL-25	∅ 36.0	88	∅ 44.0	10°	32X1.5	○	○
PULL-40	∅ 55.0	110	∅ 66.0	10°	50X1.5	○	○
PULL-60	∅ 83.0	132	∅ 97.0	10°	78x2.0	○	○

PULL-TYPE COLLETS

拉紧式夹头



CITIZEN 西铁城

Model(型号)	d	L	D	α (角度)	Thread M	Material	
						Steel	Carbide
BL20/25	\varnothing 33.0	100	\varnothing 41.0	15°	32X1.5	O	O

TSUGAMI 津上

Model(型号)	d	L	D	α (角度)	Thread M	Material	
						Steel	Carbide
BM-16	\varnothing 30.0	75	\varnothing 38.0	15°	25X1.5	O	O

STAR 星牌

Model(型号)	d	L	D	α (角度)	Thread M	Material	
						Steel	Carbide
SC-20	\varnothing 30.0	79	\varnothing 38.0		26X1.5	O	O

HARDINGE 美国哈挺

Model(型号)	d	L	D	α (角度)	Thread M	Material	
						Steel	Carbide
5C	\varnothing 31.75	88	\varnothing 37.3	10°	31.3X20f"	O	O
16C	\varnothing 48.0	114.5	\varnothing 57.4	10°	47.5X1.75	O	O
20C	\varnothing 60.4	163	\varnothing 73.2	10°	60X1.5	O	O

YUNGHO

Model(型号)	d	L	D	α (角度)	Thread M	Material	
						Steel	Carbide
YB-25	\varnothing 32.0	104	\varnothing 39.0		31.5X20f"	O	O
YB-32	\varnothing 39.0	119	\varnothing 49.0		38X18f"	O	O
YB-42	\varnothing 52.0	137	\varnothing 64.0		50X16"	O	O

PULL-TYPE COLLETS

拉紧式夹头



FUJI

Model(型号)	d	L	D	α (角度)	Thread M	Material	
						Steel	Carbide
#0825	\varnothing 16.0	72	\varnothing 24.0		15X0.85	<input type="radio"/>	<input type="radio"/>
#1820	\varnothing 28.0	100	\varnothing 36.0		25X1.5	<input type="radio"/>	<input type="radio"/>
#1825	\varnothing 35.0	124	\varnothing 49.0		33X1.5	<input type="radio"/>	<input type="radio"/>
#1832	\varnothing 43.0	137	\varnothing 57.5		440X1.75	<input type="radio"/>	<input type="radio"/>

DAIWA

Model(型号)	d	L	D	α (角度)	Thread M	Material	
						Steel	Carbide
#10	\varnothing 15.0	60	\varnothing 21.0		15X1.0	<input type="radio"/>	<input type="radio"/>
#102	\varnothing 17.0	69	\varnothing 24.0		17X1.0	<input type="radio"/>	<input type="radio"/>
#15	\varnothing 22.0	85	\varnothing 28.0		21X1.0	<input type="radio"/>	<input type="radio"/>

KATAMAZ

Model(型号)	d	L	D	α (角度)	Thread M	Material	
						Steel	Carbide
850	\varnothing 37.0	101	\varnothing 46.5		32X1.5	<input type="radio"/>	<input type="radio"/>

WACHIGAL

Model(型号)	d	L	D	α (角度)	Thread M	Material	
						Steel	Carbide
WPL-17	\varnothing 23.0	97	\varnothing 32.0		22X1.5	<input type="radio"/>	<input type="radio"/>

Wang Tzyy

Model(型号)	d	L	D	α (角度)	Thread M	Material	
						Steel	Carbide
#20	\varnothing 28.0	82	\varnothing 38.0		24X20f"	<input type="radio"/>	<input type="radio"/>

Davenport

Model(型号)	d	L	D	α (角度)	Thread M	Material	
						Steel	Carbide
Burring	\varnothing 1.060"	4.375"	\varnothing 26.0		1.048"X16LH	<input type="radio"/>	<input type="radio"/>
Serro B	\varnothing 1.218"	4.35"	\varnothing 33.0		1.143"X16RH	<input type="radio"/>	<input type="radio"/>

PULL-TYPE COLLETS

拉紧式夹头



SENDAY

Model(型号)	d	L	D	α(角度)	Thread M	Material	
						Steel	Carbide
SD-25	∅ 34.0	84	∅ 41.5		29X20f"	○	○
SD-32	∅ 42.0	95	∅ 49.0		38X20f"	○	○
SD-34	∅ 42.0	95.5	∅ 51.0		36X1.5	○	○
SD-45	∅ 56.0	120	∅ 68.0		51X20f"	○	○
SD-52	∅ 61.0	120	∅ 68.0		56X20f"	○	○

SCHAUBLIN

Model(型号)	d	L	D	α(角度)	Thread M	Material	
						Steel	Carbide
W-20 80/00004	∅ 20.0	73	∅ 26.3		S 19.7X1.666	○	○
W-25 80/00005	∅ 25.0	97.6	∅ 33.7		S 24.7X15f"	○	○
HW-25 80/02010	∅ 25.0	97.6	∅ 33.7		S 24.7X15f"	○	○
HB-32 72/02010	∅ 32.0	106	∅ 40.0		S 29.7X15f"	○	○
L-20 77/00122	∅ 20.0	122	∅ 28.0		S 19.7X2.0	○	○
B6 72/00128	∅ 6.0	31.3	∅ 10.5		5X36f"	○	○
B46 72/02007	∅ 46.0	120	∅ 60.3		4.0X1.5.L	○	○

NANN

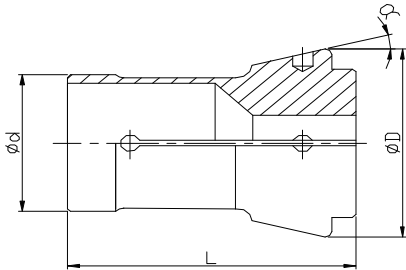
Model(型号)	d	L	D	α(角度)	Thread M	Material	
						Steel	Carbide
359E (K23)	∅ 23.0	94	∅ 32.0		Tr23X1.5	○	○
386E (K32)	∅ 32.0	114	∅ 45.0		Tr32X1.5	○	○
389E (K45)	∅ 45.0	145	∅ 60.0		Tr45x2.0	○	○
9049E	∅ 46.0	120	∅ 60.3		40X1.5L	○	○
9070E	∅ 53.0	136	∅ 69.3		47X1.5L	○	○
3640E(2)	∅ 25.0	97.6	∅ 33.7		S 24.7X15f"	○	○
3714E	∅ 32.0	106	∅ 40.0		S 29.7X15f"	○	○
3718E	∅ 32.0	124	∅ 45.0		Tr32X1.5	○	○

PUSH-TYPE COLLETS

推紧式夹头



TYPE OF MACHINE TOOL 配用机床型号



Art-No	Model(型号)	d	L	D	DIN No	α(角度)	Schau No	max	NEU NO	Material	
										Steel	Carbide
140E	TRAUB A-15	∅ 22.0	55	∅ 30.0	6343-22	15°	F22/71	16/15/10		○	○
148E	TRAUB A-20	∅ 28.0	70	∅ 38.0		15°	F28/93	23/20/16	231.004	○	○
161E	TRAUB A-25	∅ 32.0	75	∅ 45.0	6343-32	15°	F32/221	28/24/19	231.005	○	○
162E	INDEX#25	∅ 35.0	70	∅ 43.0		15°	F35/67	30/24/20		○	○
163E	INDEX#30	∅ 35.0	80	∅ 48.0	6343-35	15°	F35/94	30/27/20		○	○
164E	#22 B&S LICO#32	∅ 38.08	108	∅ 49.0		15°	F38/72	32/27/20	285.002	○	○
171E	INDEX#36	∅ 42.0	94	∅ 55.0	6343-42	15°	F42/99	37/32/26	231.007	○	○
173E	INDEX#42	∅ 48.0	94	∅ 60.0	6343-48	15°	F48/81	42/38/30	231.009	○	○
177E	INDEX#52	∅ 58.0	94	∅ 70.0		15°	F58/355	52/44/36		○	○
185E	INDEX#60	∅ 66.0	110	∅ 84.0	6343-60	15°	F66/359	60/50/41	231.001	○	○
193E	INDEX#80	∅ 90.0	130	∅ 107.0	6343-80	15°				○	○

MIYNO 宫野

Model(型号)	d	L	D	DIN No	α(角度)	Schau No	max	NEU NO	Material	
									Steel	Carbide
BNC20	∅ 27.0	73	∅ 38.0		15°				○	○
BNC34	∅ 44.4	108	∅ 54.2		15°				○	○
BNA42(=173E)	∅ 48.0	94	∅ 60.0	6343-48	15°	F48/81	42/38/30	231.009	○	○
BND54(=177E)	∅ 58.0	94	∅ 70.0		15°	F58/355	52/44/36		○	○
BND64(=185E)	∅ 66.0	110	∅ 84.0	6343-60	15°	F66/359	60/50/41	231.001	○	○
#25	∅ 40.0	95	∅ 45.0						○	○

PUSH-TYPE COLLETS

推紧式夹头



RIKEN 理研

Model(型号)	d	L	D	DIN No	α (角度)	Schau No	max	NEU NO	Material	
									Steel	Carbide
SAD-25	∅ 30.0	64	∅ 43.0		15°				O	O
SAD-40	∅ 48.0	84	∅ 66.0		15°				O	O
SAD-50	∅ 56.0	94	∅ 68.0		15°				O	O
SAD-65	∅ 75.0	100	∅ 93.0		15°				O	O

POLYGYM 台湾宝丽金

Model(型号)	d	L	D	DIN No	α (角度)	Schau No	max	NEU NO	Material	
									Steel	Carbide
#38	∅ 42.0	92	∅ 51.0						O	O

LI CO

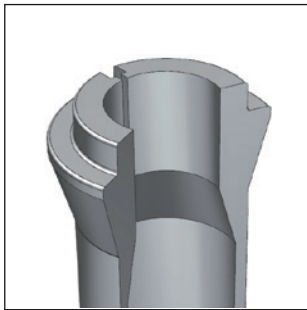
Model(型号)	d	L	D	DIN No	α (角度)	Schau No	max	NEU NO	Material	
									Steel	Carbide
TNS-30/42	∅ 46.0	65	∅ 55.0						O	O
#65	∅ 72.0	142	∅ 90.25						O	O

JINN FA

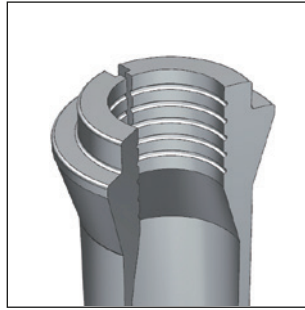
Model(型号)	d	L	D	DIN No	α (角度)	Schau No	max	NEU NO	Material	
									Steel	Carbide
C-32	∅ 40.0	104	∅ 54.5						O	O
C-44	∅ 54.0	87	∅ 68.0						O	O
JCL-50	∅ 60.0	89	∅ 72.0						O	O
JCL-60	∅ 75.0	100	∅ 93.0						O	O
JCL-75	∅ 85.0	110	∅ 98.0						O	O

Collet Clamping Shape

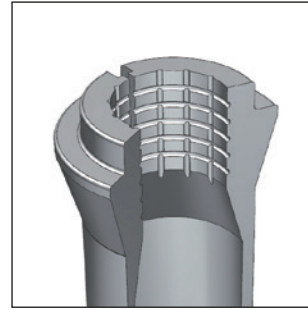
Clamping Hole Surface



Smooth Bore

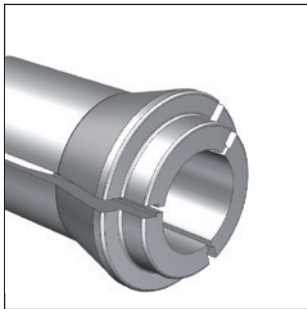


Grooved Bore

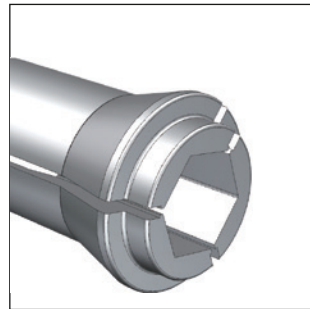


Powerful Grip

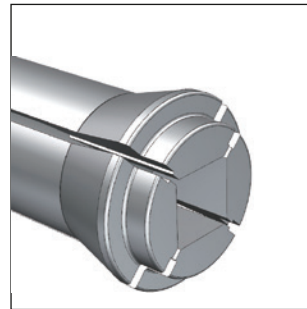
Clamping Hole Shape



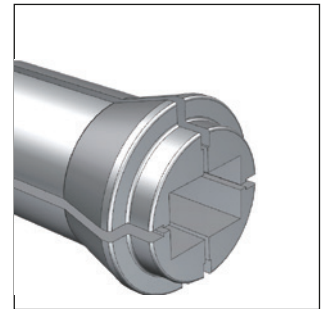
Round



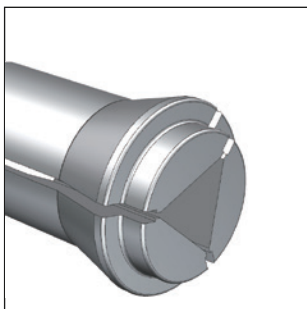
Hexagon



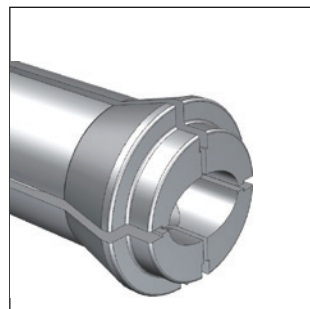
Square



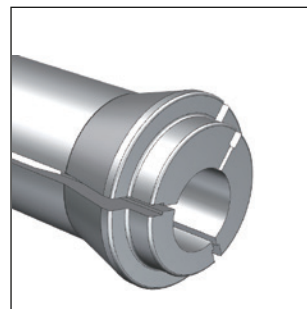
Rectangle



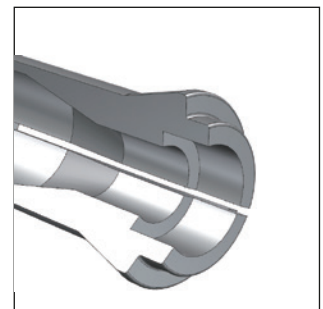
Triangle



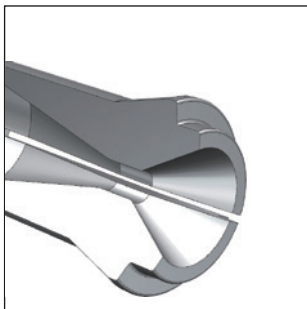
Ellipse



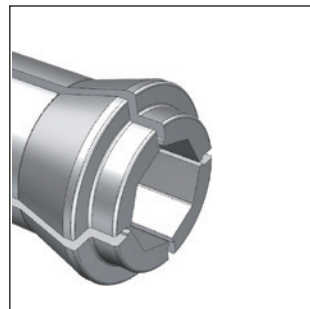
Eccentric Hole



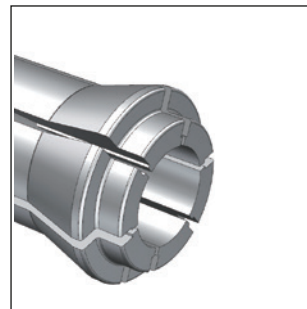
Step Hole



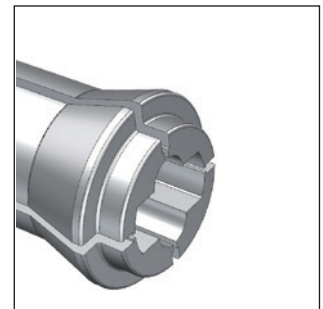
Taper Step Hole



Octagon Hole

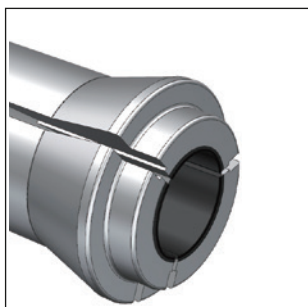


Six Slots Hole

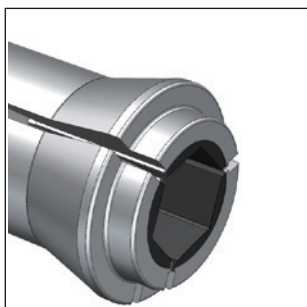


Special Hole

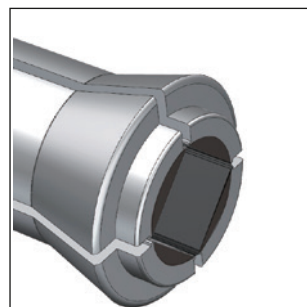
Clamping Hole With Carbide



Round

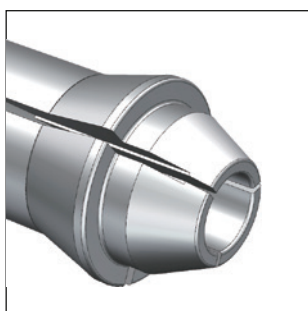


Hexagon

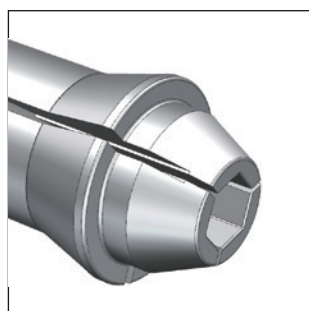


Square

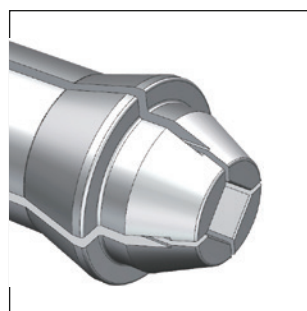
Long-nose Straight-slot Type



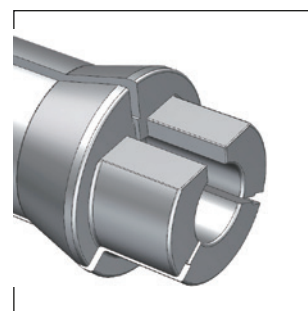
Round



Hexagon

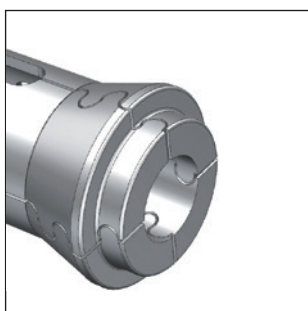


Square

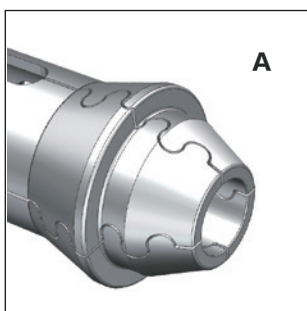


Special Hole

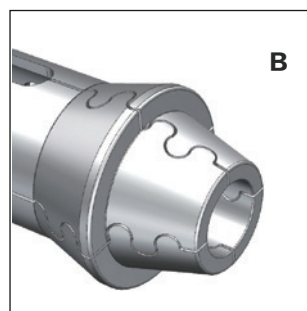
S-slots Type



Long-nose+S-slots Type



A

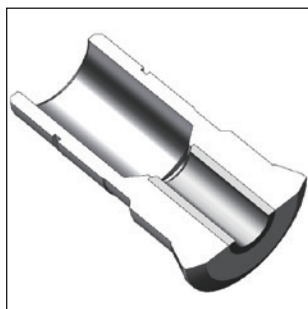


B

Guide Bush Clamping Shape



Standard Carbide



Long Carbide



优质选材

精选钨钢材制作而成，延长夹头使用寿命

Tungsten Steel is made of extend the service life of the chuck



经久耐用

理及冷拔硬化后，强度较高，具有一定柔韧性和可塑性，增强了弹性、夹持力和寿命

After heat treatment and cold drawing hardening, it has higher strength, flexibility and plasticity, enhanced elasticity, clamping force and service life



高精稳定

台湾制造，工艺成熟，且采用进口数控磨床研磨而成，精度稳定

Based on Proven Taiwanese technology, We also use the imported CNC grinder which make sure of the stable precision product





主、副夹头导套（合金硬度 $\geq 92\text{HRC}$ ）

本产品主要适用于TONORS\SECO\CITIZEN\TSUGAMI\STAR\NOMURA等
进口高精度数控车床品牌,可定制合金加长导套。

高硬度

Guide Bush of Main & Sub Collet(Hardness Rigidity $\geq 92\text{HRC}$)

Our products are good for imported CNC machine tools like
TONORS,SECO,CITIZEN,TSUGAMI,STAR,NOMURA and so on.
Our products can be customized of extra long guide bush

